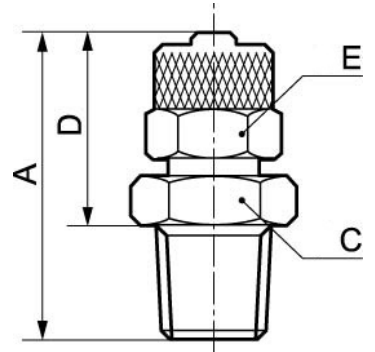


## SLEEVE COUPLING

Tapered straight male stud - RB1



15

Min. / Max temperature

-20 / 80 °C

Part number	Male thread	Dim. A (mm)	Dim. C (mm)	Dim. D (mm)	Dim. E (mm)
RB1 614	R1/4	30	14	19	12
RB1 618	R1/8	26.5	12	18.5	12
RB1 814	R1/4	30	14	19	14
RB1 818	R1/8	26.5	12	18.5	14
RB1 838	R3/8	31	17	19.5	14
RB1 1014	R1/4	32	14	21	16
RB1 1038	R3/8	33	17	21.5	16
RB1 1238	R3/8	35	17	23.5	19